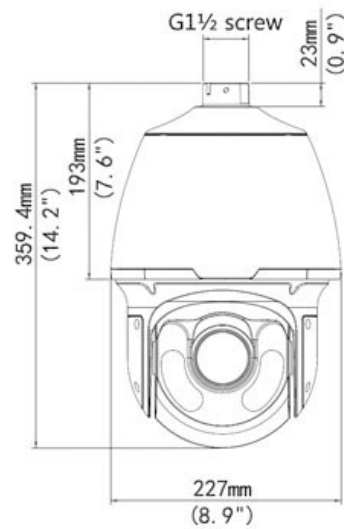


**CP- VNP-3021L15****2MP 30x Full HD Network IR PTZ Camera - 150 Mtr.****INDIGO****Main Features**

- 1/3" 2MP Progressive scan, CMOS
- Powerful 30x Optical Zoom
- H.265, H.264, MJPEG Triple streams Encoding
- Up to 256 Presets, 16 patrol, 16 Pattern
- Max 240°/s pan speed, 360° endless pan rotation
- Built-in 1/1 alarm in/out, IP66
- IR Range of 150 Mtr., Micro SD, PoE
- Supports Instastream technology, save disk space and bandwidth upto 70%
- Mobile Software: Android, iOS
- CMS Software: IVMS

**Instastream****CE FC****RoHS**  
COMPLIANT

# CP- VNP-3021L15

2MP 30x Full HD Network IR PTZ Camera - 150 Mtr.



## Feature

Image Sensor

Effective Pixels

S/N Ratio

Minimum Illumination

Focal Length

Focus Control

White Balance

Iris Control

Angle of View

Electronic Shutter

AGC control

Back Light Compensation

Optical Zoom

Digital Zoom

Pan Travel

Tilt Travel

Presets

Preset Speed

Special Features

Privacy Masking

Day/Night: IR Cut Filter

Video Compression

Video Streaming

Audio Compression

Audio Streaming

IVS

Networking

Protocols

Alarm

Memory Slot

## Specification

1/3" 2MP CMOS

1920(H) x 1080(V)

>52dB

Colour: 0.03 lux (F1.6, AGC ON) 0 lux with IR

4.5 ~ 135 mm

Auto / Manual

Auto / Manual

Auto/Manual; F1.6 ~ F4.4

62.9° (wide) ~ 2.3° (tele)

Auto/Manual; shutter time: 1/6 s ~ 1/100000 s

Auto / Manual

DWDR

30x

Supports

360° endless, Pan Speed: 0.1°/s ~ 240°/s

-15° ~ 90°, Tilt Speed: 0.1° ~ 160°/sec

256

Pan: 300° /s; Tilt: 240° /s

IR Range upto 150m, Up to 256 Presets, 16 Patrol, 16 Pattern

Up to 8 areas

IR-cut filter with auto switch (ICR)

H.265, H.264,MJPEG

1080P (1920 x 1080): Max. 30 fps; 720P (1280 x 720): Max. 30 fps; D1 (720 x 576): Max. 30 fps

G.711

Two way Talk Supported

Intrusion, crossing line, Motion detection, Audio detection, Face detection, People counting

10M/100M Base-TX Ethernet

L2TP, IPv4, IGMP, ICMP, ARP, TCP, UDP, DHCP, PPPoE, RTP, RTSP, RTCP, DNS, DDNS, NTP, FTP, UPnP, HTTP, HTTPS, SMTP, 802.1x, ONVIF, API

1 In/1 Out

Micro SD, up to 128 GB



# CP- VNP-3021L15

2MP 30x Full HD Network IR PTZ Camera - 150 Mtr.



## Feature

Operating Temperature  
Weather Proof Standard  
Dimension  
Weight  
Power Source  
Power Consumption

## Specification

-40°C ~ +65°C (-40°F ~ 149°F), Humidity ≤ 95% RH (non-condensing)  
IP66  
Ø227 x 359.4 mm (Ø8.9" x 14.2")  
5.28kg  
24 V AC, 24 V DC, PoE (PSE Required)  
9 ~ 42W