

**intouch**

**MX**



Sure, it may look serious on the outside but, with one sit you'll feel what it really is.

Underneath this sleek figure is a design that provides exceptional comfort and ergonomic support in any given environments.



There is more to Intouch than you might think.



# A CHAIR FOR EVERYWHERE

With the number of options available on Intouch, you'll be able to style your chairs for countless applications. From the conference room to the corner office to the reception area, Intouch thrive in any environment.



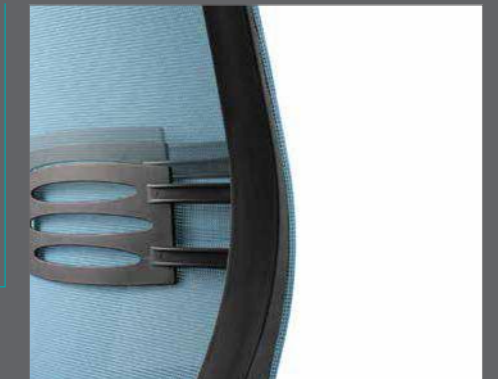
Intouch offers a sleek yet simple lumbar system, plus a host of other practical features. All said, Intouch

is a design-based ergonomic solution that gives users control of their own comfort and well-being.



#### Lumbar Support

Slides up or down for custom support that can effectively disperse pressure to the back.



#### Adjustable Armrest

Height adjustable armrest that firmly support elbows and eliminate fatigue due to long hours of sitting.



#### Mechanism

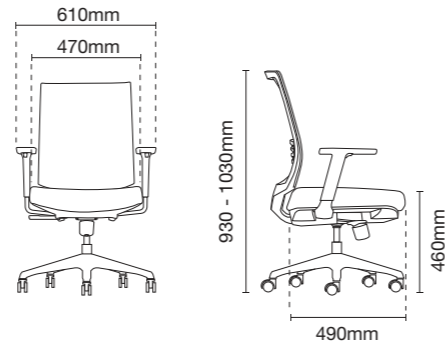
Metal synchronized mechanism with 3 lockings system allows separate tilting of the backrest and seat in 3 different angles to ease your movement for different postures.



**IT8312N - 14D34**

Executive low back

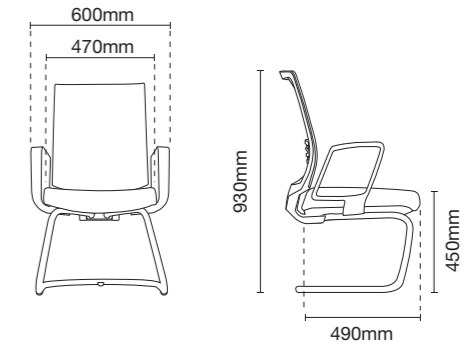
- AB14 aluminium base
- D34 adjustable nylon armrest with nylon pad
- MH012 metal synchronized mechanism (3 lockings)



**IT8313N - 93EA66**

Visitor / Conference chair with arm

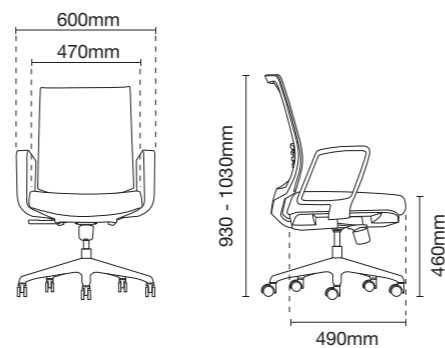
- 93E epoxy cantilever base
- A66 fixed armrest



**IT8312N - 24A66**

Executive low back

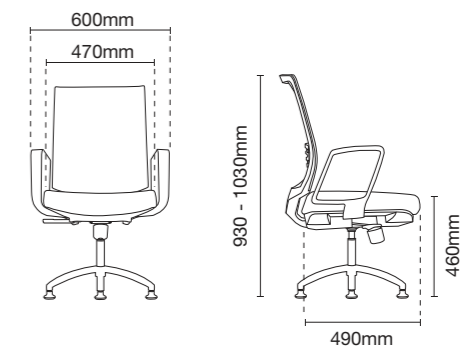
- NB24 nylon base
- A66 fixed armrest
- MH012 metal synchronized mechanism (3 lockings)



**IT8313N - 90CA66**

Visitor / Conference chair with arm

- 90C 4 pronged aluminium base with stud
- A66 fixed armrest
- MH012 metal synchronized mechanism (3 lockings)





#### Nylon Adjustable Armrest

Nylon adjustable armrest with nylon armpad to enhance support with best comfort (Pic 1)

#### Fixed Armrest

Moulded polypropylene armrest in black finish. (Pic 2)

#### 5 Pronged Base

5 pronged base in either nylon or die-cast polished aluminium finish, generates by highly sophisticated ambience to provide strong stability. (Pic 3, 4)

#### 4 Pronged Base

4 pronged base in die-cast polished aluminium finish, generates by highly sophisticated ambience to provide strong stability. (Pic 5)

#### Polyurethane Castors or Stud

Both the 50mm polyurethane dual-wheel castors and studs are designed for smooth gliding and also reduce floor scratches. (Pic 6, 7)

#### Tilting Mechanism

Metal synchronized mechanism with 3 lockings system that come with weight adjustable tension knob. (Pic 8, 9, 10)

#### Lumbar Support

Artfully designed horizontal polypropylene lumbar support with up-down motion to the supporting point or desired position. (Pic 11)

#### Height Adjustable Pneumatic Cylinder

Imported heavy duty pneumatic cylinder designed with safety and durability features, allows for height adjustment of the chair to suit each users physique. (Pic 12)

#### Polyurethane Moulded Foam

High density polyurethane moulded foam come with fire retardant feature, gives the seat flexibility to conform user seating posture, provides great support and best comfort even for long seating hours. The black finish seat cover below is designed for greater protection to the foam, quality upholstery and user safety. (Pic 13)

[www.artmatrix.com.my](http://www.artmatrix.com.my)



**ARTMATRIX TECHNOLOGY SDN BHD** (694144-X)  
**ARTMATRIX MANUFACTURING SDN BHD** (693659-U)  
Lot 32789, Jalan 5/1A, Taman Perindustrian Selesa Jaya,  
43300 Balakong, Selangor, Malaysia.  
☎ +603 8962 2286 📠 +603 8961 8862  
✉ [sales@artmatrix.com.my](mailto:sales@artmatrix.com.my)  
🌐 [www.artmatrix.com.my](http://www.artmatrix.com.my)



**KK SHOWROOM**  
Ground Floor, Block B, Lot 4,  
Damai Plaza Phase 3,  
Wisma CTF, Jalan Damai,  
88300, Kota Kinabalu, Sabah, Malaysia.  
☎ +6088 448 355 / 448 655  
📠 +6088 448 455